

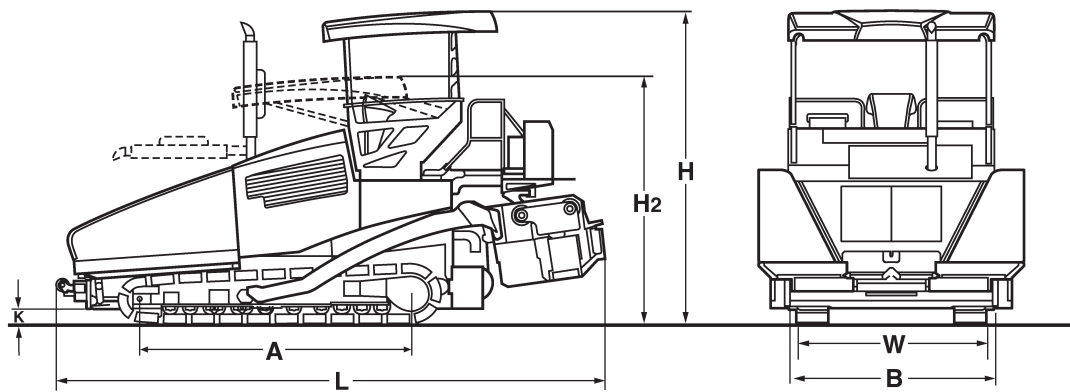


PERFORMANCE DATA

PAVER (TIER 3)

BF 800 C S 500, BF 800 C S 600





Dimensions in mm

	A	B	H	H₂	L	W
BF 800 C S 500	3360	2550	3865	3055	6800	2550
BF 800 C S 600	3360	3000	3865	3055	6800	3000

Shipping dimensions in m³

BF 800 C S 500	41,969
BF 800 C S 600	43,423

Technical Data**Weight CECE**

With S 500 screed / with S 600 screed kg

Dimensions

Transport length mm

Transport width mm

Transport height mm

Travel characteristics

Travel speed (1) km/h

Working speed (1) m/min

Drive

Engine manufacturer

Type

Exhaust classification.....

Cooling

Number of cylinders.....

Rated power ISO 3046..... kW

Speed min⁻¹**Crawler assembly**

Crawler track.....

-Axle base mm

-Width..... mm

HopperCapacity m³

Width (wings open)..... mm

Width (wings closed)..... mm

Length mm

Filling height (middle) mm

Scraper belt / auger

Number.....

Width mm

Speed U/min

Individual control.....

Reversing operation.....

Conveyor auger

->Number.....

->Auger diameter mm

->Rotary speed U/min

->Reversing operation.....

Screed

Screed type.....

Basic width retracted mm

Basic width extended..... mm

Max. working width..... mm

min. width with reduction skids mm

Mat thickness..... mm

Smoothing plate depth..... mm

Smoothing plate thickness..... mm

Heating

Crown %

Tamper frequency..... Hz

Vibration frequency Hz

Basic weight..... kg

Filling capacities

Fuel..... l

Hydraulic oil..... l

**BOMAG
BF 800 C S 500**

21000

6800

2550

3055

0-4,5

0-25

DEUTZ

TCD 2012 L06

3 a

Water

6

135

2000

2700

300

7,2

3320

2250

2010

500

2

400

60

Standard

Standard

2

400

95

Standard

S 500

S 500

2550

5000

9000

1800

300

400

15

Elektric

-2,5 ... +4,5

0-29

20-58

3900

315

160

**BOMAG
BF 800 C S 600**

21300

6800

3000

3055

0-4,5

0-25

DEUTZ

TCD 2012 L06

3 a

Water

6

135

2000

2700

300

7,2

3320

2250

2010

500

2

400

60

Standard

Standard

2

400

95

Standard

S 600

S 600

3000

6000

10000

2300

300

400

15

Elektric

-2,5 ... +4,5

0-29

20-58

4200

315

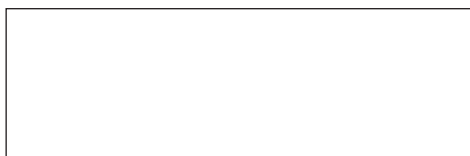
160

Standard equipment

- SIDEVIEW
- Driver's seat: with swivel and side-shift
- Protection; dashboard
- Hydraulic hinged roof
- Digital display for machine management
- Separate control of hopper wings
- Cleaning kit
- Hydraulic, height adjustable auger
- Track scraper
- L.C.S. Screed relief and traction increase system
- Screed temperature control
- Cast heating elements
- Automatic screed heating
- Hydraulic screed control
- Crown adjustment
- 6 work lights
- Side control of auger/scraper belts
- Tools
- Rubber track plates
- 30 kVA generator
- Socket 2 x 240 volt
- 2 proportionally controlled and reversible wear-resistant cast augers; screw blades separately replaceable
- 2 independent and reversible scraper belts; high- wear resistant plates

Optional equipment

- Hydraulic hopper front flap
- Hydraulic/electric movable platform
- Hydraulic crown adjustment
- Hinged side plates
- Heated side plates
- Side windscreened platform
- Seat warmer
- Asphalt steam extraction
- Biologically degradable hydraulic oil
- Central lubrication system
- L.C.S. half-sided
- Optional paint finish
- S 500 + S 600 extensions:
 - 250 mm
 - 500 mm
 - 750 mm
 - 1250 mm
- Reduction shoe
- Edge shaper 45°/60°
- Light balloon
- Socket 2 x 240 volt
- Levelling systems: Height and cross-slope sensing by means of ultrasonic or mechanical sensors



PRE 837 19 010

110316 Sa

BOMAG
Hellerwald
D-56154 Boppard
Postfach 5162
D-56149 Boppard
Tel. (0)6742 - 1000
Fax (0)6742 - 3090

