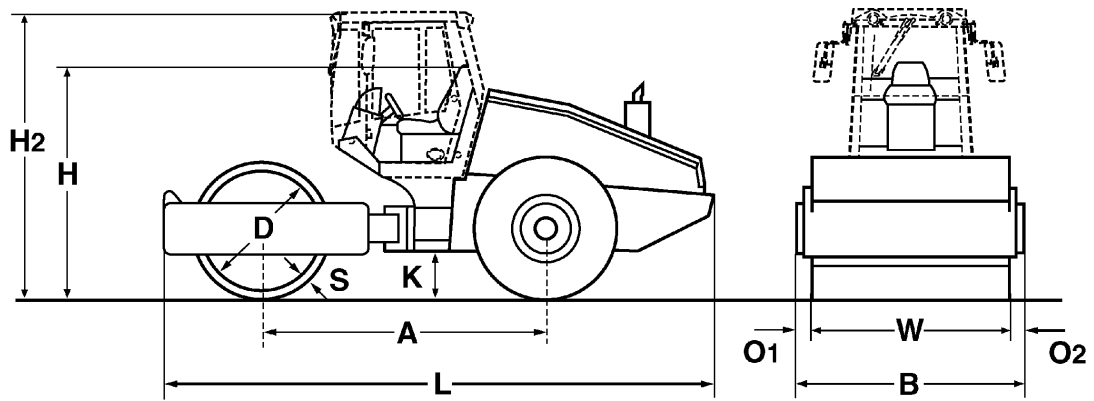


# TECHNICAL DATA

SINGLE DRUM ROLLERS

BW 216 D-40, BW 216 PD-40





**Dimensions in mm**

	A	B	D	H	H2	K	L	O1	O2	S	W
<b>BW 216 D-40</b>	2960	2300	1500	2268	2985	490	5930	85	85	35	2130
<b>BW 216 PD-40</b>	2960	2300	1480	2268	2985	490	5930	85	85	25	2130

**Shipping dimensions in m3**

**BW 216 D-40**  
**BW 216 PD-40**

**without ROPS**

30,933  
 30,933

**with ROPS**

40,712  
 40,712

Machine type	Compaction output (m3/h)			
	Rock fill	Gravel, sand	Mixed soil	Silt, clay
BW 216 D-40	650-1200	450-920	340-680	210-420
BW 216 PD-40	650-1200	450-920	340-680	250-500

Machine type	Compacted layer thickness (m)			
	Rock fill	Gravel, sand	Mixed soil	Silt, clay
BW 216 D-40	1,10	0,75	0,55	0,30
BW 216 PD-40	1,10	0,75	0,55	0,35

## Technical Data

## BOMAG BW 216 D-40

## BOMAG BW 216 PD-40

### Weights

Grossweight .....	kg	17.100	16.400
Max. axle load, drum CECE .....	kg	11.700	11.000
Max. axle load, wheels CECE .....	kg	5.400	5.400
Operating weight CECE .....	kg	15.200	15.700
Axle load, drum / wheels CECE .....	kg	10.200/5.000	10.700/5.000
Static linear load CECE .....	kg/cm	47,9	
Max. static linear load CECE .....	kg/cm	54,9	

### Dimensions

Track radius, inner .....	mm	3.494	3.494
---------------------------	----	-------	-------

### Driving Characteristics

Speed (1) .....	km/h	0- 4,0	0- 4,0
Speed (2) .....	km/h	0- 5,0	0- 5,0
Speed (3) .....	km/h	0- 7,0	0- 7,0
Speed (4) .....	km/h	0- 11,0	0- 11,0
Max. gradeability without/with vibr. ....	%	48/45	50/47

### Drive

Engine manufacturer .....		Deutz	Deutz
Type .....		BF4M 1013 EC	BF4M 1013 EC
Emission stage .....		2/2	2/2
Cooling .....		water	water
Number of cylinders .....		4	4
Performance ISO 3046 .....	kW	114,0	114,0
Performance SAE J 1995 .....	hp	153,0	153,0
Speed .....	min-1	2.200	2.200
Fuel .....		diesel	diesel
Electric equipment .....	V	12	12
Drive system .....		hydrost.	hydrost.
Drum driven .....		standard	standard

### Drums and Tyres

Tyre size .....		23.1-26/12PR	23.1-26/12PR
Number of pad feet .....			150
Height of pad feet .....	mm		100
Area of one pad foot .....	cm <sup>2</sup>		137

### Brakes

Service brake .....		hydrost.	hydrost.
Parking brake .....		hydromec.	hydromec.

### Steering

Steering system .....		oscil.artic.	oscil.artic.
Steering method .....		hydrost.	hydrost.
Steering / oscillating angle +/- .....	grad	35/12	35/12

### Exciter system

Drive system .....		hydrost.	hydrost.
Frequency .....	Hz	30/36	30/36
Amplitude .....	mm	1,80/0,90	1,70/0,86
Centrifugal force .....	kN	275/202	275/202
Centrifugal force .....	t	28,1/20,6	28,1/20,6

### Capacities

Fuel .....	l	250,0	250,0
------------	---	-------	-------

Technical modifications reserved. Machines may be shown with options.

### Standard Equipment

- Warning, information and operation displays with round gauge
- Hydrostatic travel and vibration drive
- Hydrostatic articulated steering
- Articulated joint lock
- Rear axle with twin spring accumulator brakes
- No-Spin differential lock
- Warning horn
- Single lever control for travel and vibration
- Scrapers
- Emergency STOP
- Back-up warning system
- Operator seat

### Optional Equipment

- ROPS/FOPS cabin with seat belts
- Working lights front / rear
- ROPS/FOPS with safety belt
- Comfort driver's seat
- Rotary beacon
- Indicator and hazard lights
- Padfoot segment kit (D)
- Contact scrapers
- BOMAG Evib-Meter (BEM)
- TERRAMETER BTM prof
- BCM 05 Documentation system
- Special painting
- Air condition
- Sun roof
- Warning, information and operation displays
- Radio (Bluetooth)

