

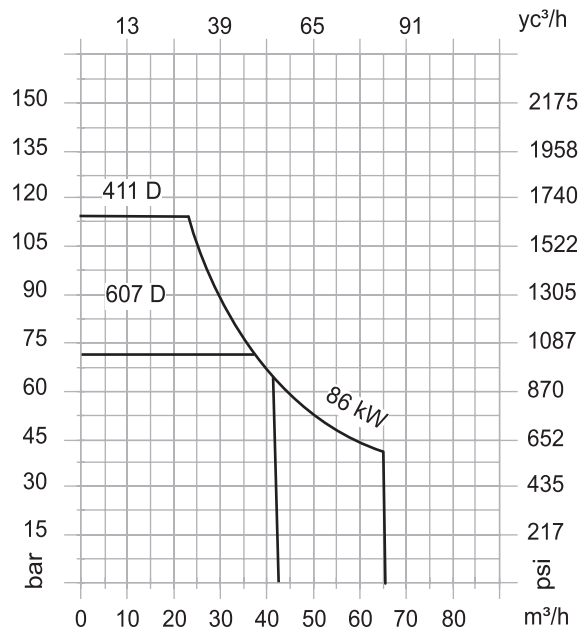
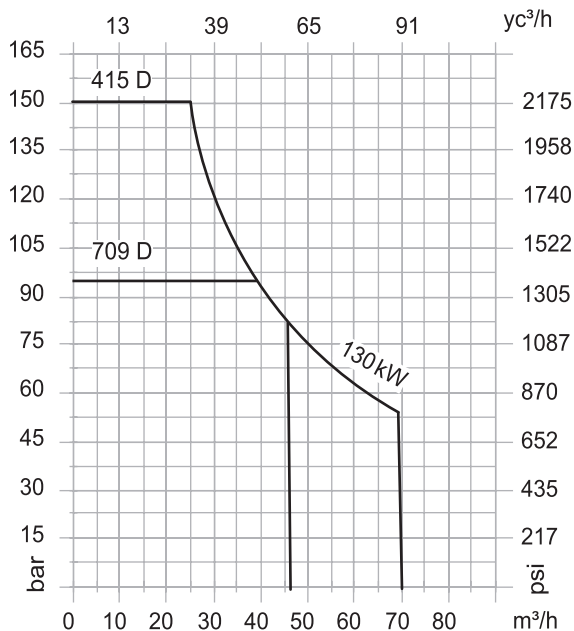
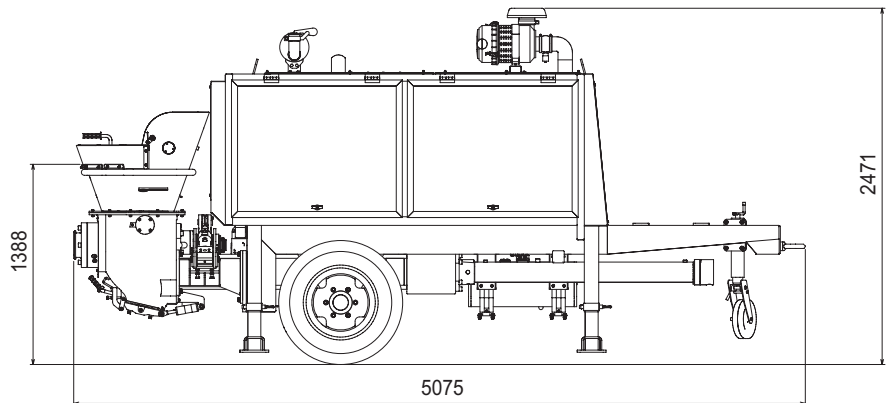
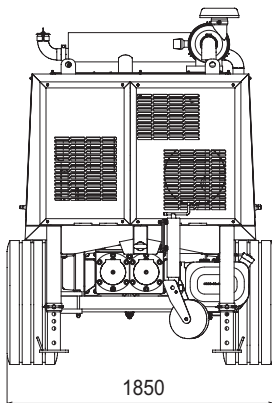
## Portable concrete pumps “7” Series

### Description

A complete range, whether on small job sites, shotcrete pumping or big civil works. In every situation, all these pumps have the basic characteristics of stability, low running costs and pumping consistency. Available in diesel or electric version, noiseless or flameproof. All pumps are provided with excellent standard supply, complete with a wide choice of accessories which determine their versatility, making them ideal for work on big outside town job-site and in town centres.



### Dimensions and performance diagrams



# Portable concrete pumps “7” Series

## Main features

The Cifa portable concrete pump series offers a wide range of models which satisfy the various needs of concrete pumping and handling both in tunnels and above ground, over long distances and at considerable heights.

The Cifa original pumping unit presents characteristics of resistance, long life and exceptional performances with any type of concrete.

All have a rigid monoaxle trailer complete with drawbar, four manual adjustable outriggers and two rubber wheels.

The power source is provided by separate engine (Diesel or Electric). The main pump is an axial piston type with variable flow and constant power; gear pump is used for auxiliary services.

- ‘S’ shaped valve for any type of concrete, with special steel and different thicknesses
- Rapid valve exchange
- Ideal operation even at high pressures with continuous and smooth pumping flow
- Automatic wear compensation
- Hydraulic system in open circuit
- Transformation of the pumping units from high to low pressure or viceversa
- Low noise
- Low running costs
- Easy maintenance and quick cleaning operations
- Machines can work up to -25°

## Standard equipment

- Electric vibrator on the hopper grid
- Deutz engine:
  - PC 607/411 Step3 power 86 kW
  - PC 709/415 Step3 power 130 kW
  - PC 709/415 Step2 power 112 kW
- Rigid monoaxle trailer
- Drawbar
- N° 4 manual outriggers
- Concrete outlet piping with bend and counterbend reduction device up to 5”
- Hydraulically driven water pump 70 l/min - 20 bar
- Concrete flow rate regulator on board
- Washing pipe complete with nozzle
- Connection flange for washing
- N° 2 sponge rubber balls
- Remote control with 20m cable
- Acoustic signal for diesel engine breakdown
- One colour painting

## Optionals

- Multistage centrifugal water pump (300 l/min - 20 bar)
- Hydraulically controlled air compressor, bicilindrical, two-stage capacity 500 l/min intaken, max. pressure 12 bar, complete with accessories, stopballs cage and stub pipe
- Stopballs cage and stub pipe diam. 5.5” with joint
- Catalytic silencer for Deutz engines
- Water silencer for Deutz engines

## Technical data

Portable concrete pumps “7” series

Model		PC 607	PC 411	PC 709	PC 415
Drive power D/E	kW	86/75	86/75	130(112)/110	130(112)/110
Max. theoretical output	m <sup>3</sup> /h	65	43	70	46
Max. pressure on concrete	bar	70	110	91	145
Max. number of cycles per minute		30	20	32	21
Concrete cylinders (diam. x stroke)	mm	176x1500	176x1500	176x1500	176x1500
Concrete hopper capacity	l	400	400	400	400
Rod side drive □ / Piston side drive ◆		□	◆	□	◆

Technical data and characteristics subject to modifications without notice