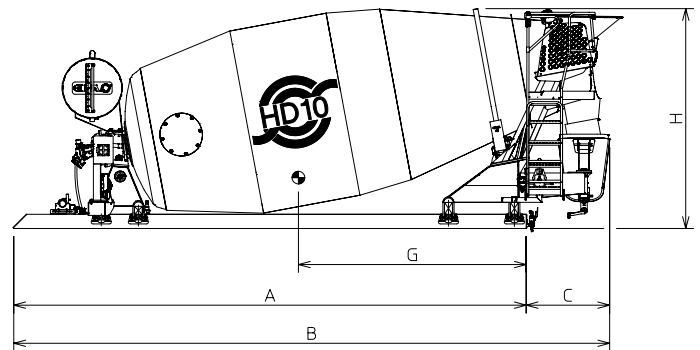


## HD/HDA 10



### Technical data

Truck-Mixer Model		HD 10	HDA 10
<b>Drum</b>			
Nominal capacity	m <sup>3</sup>	10	10
Geometric volume	m <sup>3</sup>	17,02	17,02
Filling ratio	%	58	58
Water line	m <sup>3</sup>	11,1	11,1
Rotation speed	r.p.m.	14	14
Diameter	mm	2350	2350
Rollers	n	4	4
Water meter scale	l	0 ÷ 500	0 ÷ 500
Water tank capacity	l	800	800
<b>Driven by</b>			
Separate engine/P.T.O.		PTO	separate engine
<b>Dimension</b>			
A - min. length of frame	mm	6500	6700
B - min. length of mixer	mm	7700	7900
C - overhang	mm	1214	1214
G - center of gravity	mm	2551	2876
H - max. height	mm	2790	2790
Max width	mm	2440	2440
Total weight (empty) *	Kg	4980	5534
<b>Truck Specification</b>			
Truck axles			



# HD/HDA 10

## Product description

The "HD" Series has been conceived with a robust design to meet most demanding jobsite requirements in terms of reliability, high payload capacity and ease of use.

## Standard equipment

- Reinforced basic frame
- Wear protected blades
- Double rollers with sling bar for the best off road support, completely bolted for an easy maintenance and adjusting
- Heavy duty, high torque reducer
- High thickness drum and blades
- Drum antirebound device
- Water tank capacity 800 l
- Two washing nozzle (one at ground level by quick joint and one on ladder platform)
- Manometer for the concrete consistency
- Two light additional chutes in iron-plastic material, with supports for their fixing on mudguards
- Special design charging hopper and discharging hopper and chute for a fast and smooth charging and discharging completely bolted for a better and simple maintenance
- Wear plates on charging hopper and discharging chute
- Discharging chute driven by manual cylinder
- Adjustable support for hydraulic pump
- Water pump driven by reducer
- No. 2 quick joint water fillers on front sides of supporting frame
- Heavy duty oil cooler with integrated oil tank
- Plastic back protection on rear support easy to clean
- Strong plastic mudguards light, strong and easy to clean and plus rubber mudflaps
- Machine completely sandblasted and painted in rust prevention. Ladder and chute are zinc protected for better rust resistance
- Two man holes on the drum and two safety drum locking systems
- Controlled by flexible cables
- Water meter

## For HDA version only

- Separate engine
- Control panel complete of start key
- Overheating alarm

## Structure

Counter-frame and supports completely calculated by "Finite Element Analysis" (FEM).

High mixing capacity and maximum output thanks to the optimal positions of the spiral blades in the drum.

The low center of gravity of the truck-mixer creates an ideal balanced loads distribution, to obtain better driving position and perfect stability particularly in narrow bends. The axle-frame and counter-frame arrangement provides good road adherence, superior manoeuvrability, as well as improved safety.

## Main Optional

- Hydraulic water pump and hydraulic lifting chute
- Aluminum pressurized water tank (200-300-400-500-600-800-950 l)
- Cone-shaped discharging chute with end hose diam. 200 mm
- Centralized system for roller greasing
- Hydraulic pipings emergency kit
- Two additional plastic chutes
- Cyclist guard twin bars (standard EEC area)
- Rubber covering protection between mudguards and mixer frame, plus rubber mudflaps
- Special painting
- Discharging chute hydraulically driven by manual pump